

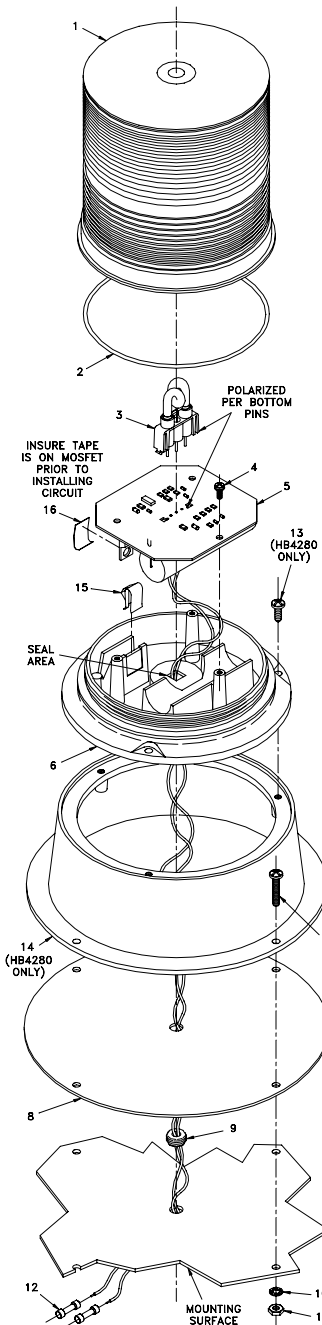
INSTALLATION INSTRUCTIONS

4240/4260 SERIES STROBE LIGHTS

DANGER WAIT FIVE (5) MINUTES BEFORE REMOVING THE STROBE LIGHT LENS IF THE STROBE LIGHT HAS BEEN OPERATED. THE POWER SUPPLY CONTAINS LETHAL VOLTAGES WHICH MUST DISCHARGE.

PARTS SHOWN IN DRAWING:

Item	Description	Kit No.
1	Polycarbonate Lens (424X Low)	LA424X (with O-Ring Seal)
1	Polycarbonate Lens (426X High)	LA426X (with O-Ring Seal)
2	O-Ring Seal	(1 each)
3	Strobe Flash-Tube Assembly (Polarized)	FT4200
4	#6-32 X 3/8" Power Supply Mounting Screw	(3 each)
5	Strobe Power Supply (424X/426X)	(1 each)
6	Aluminum Base	(1 each)
7	#10-32 X 1" SST Mounting Screw	(3 each / 4 each with HB4280)
8	Foam Aluminum Base Seal Gasket (424X/426X)	FG4200
8	Foam Skirt Seal Gasket (HB4280 only)	FG4280
9	Wire Grommet	(1 each)
10	#10 Lockwasher	(3 each / 4 each with HB4280)
11	#10-32 SST Hex Nut	(3 each / 4 each with HB4280)
12	Wire Splice Terminal	(2 each)
13	#10-14 X 3/4" Base Skirt Screw (HB4280 only)	(3 each)
14	Polycarbonate High Skirt (HB4280 only)	HB4280
15	Retaining Clip (Circuit MOSFET Transistor)	(1 each)
16	Insulating Tape (Circuit MOSFET Transistor)	(1 each)



STROBE LIGHT INSTALLATION:

The Strobe Light is intended for commercial use and should be installed and maintained by qualified personnel. Position the unit to avoid damage and protect as required. Ensure the location provides for function as intended and does not interfere with operator's safe operation of the vehicle.

- Use the Base (Item 6 or 14) as a template to mark the mounting surface and drill three (four; HB4280) 7/32" diameter holes for the Mounting Screws (Item 7) and one 3/8" diameter hole in the center for the Grommet (Item 9).
- Route 18 AWG wires, in a protected fashion, in accordance with the vehicle manufacturer's instructions, to the strobe mounting location. It is recommended to install a 10 amp fuse in-line for wire run protection. (Note: For runs over 20 feet, consult local electrical codes.)
 - Install the Grommet (Item 9) into the 3/8" hole in the mounting surface.
- Route wires through the Grommet (Item 9) and through the Gasket (Item 8) as shown.
- Connect the Strobe Light to the wire run using the Splice Terminals (Item 12) provided. The red wire to positive and the black wire to negative. (Note: If this connection is reversed, the light will not operate. However, it will not cause damage to the strobe.)
- Test the Strobe Light operation before proceeding.
- Mount the Strobe Light on the vehicle and tighten the mounting hardware (Item 7, 10 and 11) as shown. (Note: If using Polycarbonate High Skirt (Item 14), also tighten Base Skirt Screws (Item 13))
- If using another mounting method, refer to the instructions with that mounting kit.

Check the Strobe Light for proper operation daily and log in the maintenance record.

1" NPT PIPE MOUNTING:

- Feed the power leads through the pipe and connect to the Strobe Light same as the above instructions. Screw the Strobe Light onto the pipe threads, the Base (Item 6) is already threaded, taking care not to damage the power leads. (Note: 1" pipe has an approximately 1-1/4" outer diameter.)

WEATHER-PROOF INSTALLATIONS:

After the Strobe Light is mounted and connected, turn OFF and **WAIT FIVE (5) MINUTES**. Remove the Lens (Item 1) from the Base (Item 6) and set aside. Remove the three retaining screws (Item 4) and lift the Power Supply (Item 5). Seal the wire exit hole in the Base (Item 6) with non-corrosive caulk (such as Permatex FormaGasket No. 2). Reassemble the Strobe Light. Ensure the O-Ring Seal (Item 2) is installed as shown. In extremely humid climates, leaving the wire exit hole unsealed may keep the inside of the unit drier than if the hole is completely sealed. (Note: It may be necessary for the installer to seal the mounting holes and wire run hole in the mounting surface for a weather-proof seal. Proper fastener sealing will help prevent moisture from entering the vehicle through the mounting holes.)

IN CASE OF TROUBLE:

If the Strobe Light stops operating suddenly, first ensure it is getting power, 9.8 VDC min. to 36.4 VDC max. If the power to the Strobe Light is correct, then the internal fuse may be blown and the Strobe Light may need repair or replacement. Turn OFF the Strobe Light power **AND WAIT FIVE (5) MINUTES**. Remove the Lens (Item 1) and inspect the Flash-Tube Assembly (Item 3) and Power Supply (Item 5). If any burned or extremely corroded areas are visible, replace the Flash-Tube Assembly (Item 3) and Strobe Light. Do not grasp the glass Flash-Tube (Item 3). Reassemble the Strobe Light. Follow the directions below.

REPLACEMENT OF FLASH TUBE:

The glass Flash-Tube (Item 3) will darken with operation and eventually need replacement. Turn OFF the Strobe Light **AND WAIT FIVE (5) MINUTES**. Remove the Lens (Item 1) and set aside. Remove the Flash-Tube Assembly (Item 3), squeezing inward on the tabs and pulling straight upward, from the Power Supply (Item 5). Do not rock the assembly or grasp the glass

Flash-Tube (Item 3). Inspect the tube pins and supply sockets for corrosion, clean with isopropyl alcohol if necessary. If the corrosion is extreme, replace the Strobe Light. Plug a new Flash-Tube Assembly (Item 3) into the Power Supply (Item 5), insuring tabs positively latch. Note the Flash-Tube Assembly (Item 3) is polarized and may only be inserted in one direction. Clean the inside of the Lens (Item 1) and the Power Supply (Item 5) with isopropyl alcohol. Allow parts to dry completely and reassemble ensuring the Lens (Item 1) and O-Ring (Item 2) are assembled tightly and fit correctly. If necessary lubricate the O-ring (Item 2) with Silicone oil or grease.

PRECO STROBE LIGHT SPECIFICATIONS

MODEL:	4241A	4261C
	4261A	4241G
	4241B	4261G
	4261B	4241R
	4241C	4261R

1.0 Introduction

The Preco 4241 and 4261 are double-flash Strobe Lights packaged in a durable die-cast aluminum base with a removable lens, modular vibration-resistant power supply and field-replaceable flash-tube. The HB4280 also allows the incorporation of a polycarbonate skirt. This Strobe Light is designed for 12 and 24 Volt Systems without modifications or adjustment. The 424X is 4-11/16" high with a base diameter of 6-7/16". The 426X is 6-1/4" high with a base diameter of 6-7/16". The 426X with HB4280 is 8-11/16" high with a skirt diameter of 8-3/8". Amber (Yellow), Clear (White), Red, Green and Signal Blue lens colors are available, consult factory for order part numbers.

2.0 Physical Specifications:

See Outline Drawing

- 2.1 Electronics: Solid-state shock-mounted PCB assembly.
 2.2 Base: Die-cast Aluminum.
 2.3 Lens: Polycarbonate lens screws onto the base.
 2.4 Skirt: HB4280 only, Black polycarbonate.
 2.5 Weight: 4241, 1.58 lb. (0.72 kg).
 4261, 1.74 lb. (0.79 kg).
 4261 with HG4280, 2 lb. (0.91 kg).
 2.6 Size: 424X, 4.649" (118.1mm) High x 6.400" (162.6mm) Dia. Base.
 426X, 6.151" (156.2mm) High x 6.400" (162.6mm) Dia. Base.
 426X with HB4280, 8.651" (219.7mm) High x 8.375" (212.7mm) Dia. Skirt.
 2.7 Mounting: 424X and 426X: Three 0.219" (5.6mm) holes on a 5.940" (150.9mm) diameter mounting configuration. All mounting hardware is included. 426X with HB4280: Four 0.219" (5.6mm) holes on a 7.875" (200.0mm) diameter mounting configuration. All mounting hardware is included.

3.0 Electrical Specifications:

- 3.1 Input Voltage: 12 and 24 Volt Systems (9.8 VDC to 36.4 VDC) for output specified in para. 4.0.
 3.2 Input Current: 2.5 Amps typical on 12 Volt system, decreasing to 1.5 Amps typical on 24 Volt system.
 3.3 Spike Protection: +70, -400 Volts
 3.4 Polarity: Positive or negative ground, polarity protected.
 3.5 Connection: Red positive, black negative 18 AWG 8" wires. Connection hardware is included.
 3.6 Fuse Protection: Internal 5 Ampere fuse.

4.0 Output Specifications:

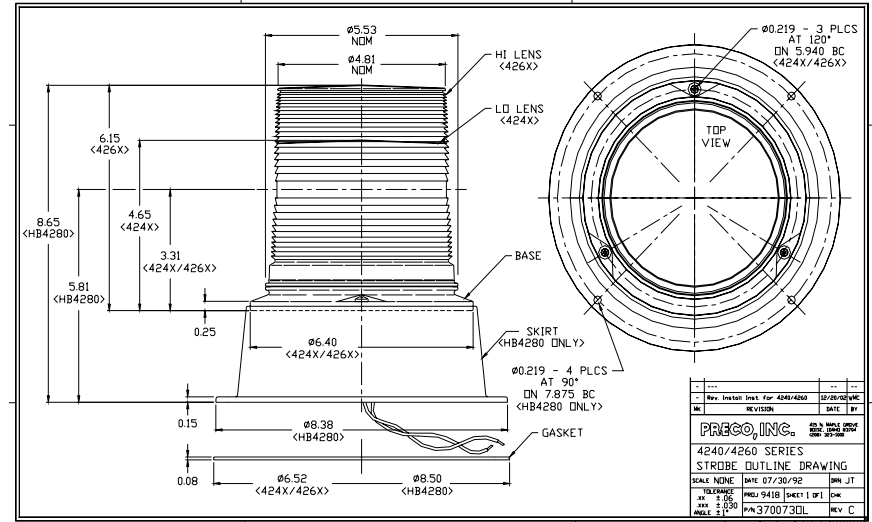
- 4.1 SAE J1318 May98: 4241 and 4261 Amber (Yellow); Class 2 360°, 50 Cd-Sec min. req. Zone Total.
 4241 and 4261 Blue (Signal Blue); Class 2 360°, 12.5 Cd-Sec. min. req. Zone Total.
 4241 and 4261 Clear; Class 2 360°, 100 Cd-Sec. min. req. Zone Total.
 4241 and 4261 Red; Class 2 360°, 25 Cd-Sec. min. req. Zone Total.
 4.2 SAE J578 Jun95: 424X and 426X Amber (Yellow), Blue (Signal Blue), Clear (White), Green and Red Lenses Conform to recommended practice.
 4.3 Flash-Tube Input Energy Level: 4241 and 4261, 12 Joules.
 4.4 Flash Rate: 80 double flashes per minute.

5.0 Additional Specifications:

- 5.1 Warranty: 24 months limited warranty. Flash tube assembly 6 months limited warranty.
 5.1 Operating Temperature Range: -30°C (-22°F) to +50°C (122°F).
 5.2 Cleaning: Unit may be exposed to spray wash.
 5.4 Flash-Tube easily replaceable.

6.0 Options:

See our catalog for a list of accessories.



PRECO LIMITED WARRANTY AND LIMITATION OF LIABILITY

Preco warrants that on the Date of Purchase this Product will conform to Preco's published specifications for the product, which are available from Preco on request, and Preco warrants that the product is free from defects in materials and workmanship. This Limited Warranty extends for twenty four (24) months from the date of manufacture. Preco will, at its option, repair or replace any product found by Preco to be defective and subject to this Limited Warranty.

This Limited Warranty does not apply to parts or products that are misused; abused; modified; damaged by accident, fire or other hazard; improperly installed or operated; or not maintained in accordance with the maintenance procedures set forth in Preco's Installation and Operating Instructions.

To obtain warranty service, you must ship the product(s) to the specified Preco location within thirty (30) days from expiration of the warranty period. You must call for a return authorization number. You must prepay shipping charges and use the original shipping container or equivalent. Return shipping charges within the United States, Canada, and Puerto Rico will be paid by Preco. This Limited Warranty will apply only to a product purchased and located in the United States, Canada, or Puerto Rico.

EXCLUSION OF OTHER WARRANTIES: PRECO MAKES NO OTHER WARRANTIES, EXPRESS, IMPLIED OR STATUTORY. THE IMPLIED WARRANTIES FOR MERCHANTABILITY OR FITNESS FOR A PARTICULAR PURPOSE ARE HEREBY EXCLUDED AND SHALL NOT APPLY TO THE PRODUCT. BUYER'S SOLE AND EXCLUSIVE REMEDY IN CONTRACT, TORT OR UNDER ANY OTHER THEORY AGAINST PRECO RESPECTING THE PRODUCT AND ITS USE SHALL BE THE REPLACEMENT OR REPAIR OF THE PRODUCT AS DESCRIBED ABOVE.

LIMITATION OF LIABILITY: IN THE EVENT OF LIABILITY FOR DAMAGES ARISING OUT OF THIS LIMITED WARRANTY OR ANY OTHER CLAIM RELATED TO PRECO PRODUCTS, PRECO'S LIABILITY FOR DAMAGES SHALL BE LIMITED TO THE AMOUNT PAID FOR THE PRODUCT AT THE TIME OF ORIGINAL PURCHASE. IN NO EVENT SHALL PRECO BE LIABLE FOR LOST PROFITS, THE COST OF SUBSTITUTE EQUIPMENT OR LABOR, PROPERTY DAMAGE, OR OTHER SPECIAL, CONSEQUENTIAL OR INCIDENTAL DAMAGES BASED UPON ANY CLAIM FOR BREACH OF CONTRACT, NEGLIGENCE OR OTHER CLAIM, EVEN IF PRECO OR A PRECO REPRESENTATIVE HAS BEEN ADVISED OF THE POSSIBILITY OF SUCH DAMAGES. Preco shall have no further obligation or liability with respect to the product or its sale, operation and use, and Preco neither assumes nor authorizes the assumption of any other obligation or liability in connection with such product.

This Limited Warranty gives you specific legal rights, and you may also have other legal rights which vary from state to state. Some states do not allow the exclusion or limitation of incidental or consequential damages, so the above exclusion or limitation may not apply to you.

Any oral statements or representations about the product which have been made by salesmen or Preco representatives do not constitute warranties. This Limited Warranty may not be amended, modified or enlarged, except by a written agreement signed by an authorized official of Preco which expressly refers to this Limited Warranty.