



MANUFACTURERS OF EMERGENCY
AND COMMERCIAL VEHICLE LIGHTING

5132 37th AVE.
P.O. BOX 206
HUDSONVILLE, MI 49426

800-338-7337 • 616-669-0230 • FAX: 616-669-3475 • E-mail: soi-sales@soundoffinc.com • Website: www.soundoffinc.com

ALTERNATING FLASHER FOR VEHICLES WITH GROUND SIDE SWITCHING HEADLIGHTS

(ETPPFV-P, ETRRFV-P)

Congratulations! You are now the proud owner of the most technically advanced Alternating Headlight Flasher System in the market today. Add to it our never ending commitment to quality, this new Flasher System will provide you with years of dependable trouble free service.

INSTALLATION

NOTE

Please refer to the Compatible and Non-Compatible Lists before attempting installation.

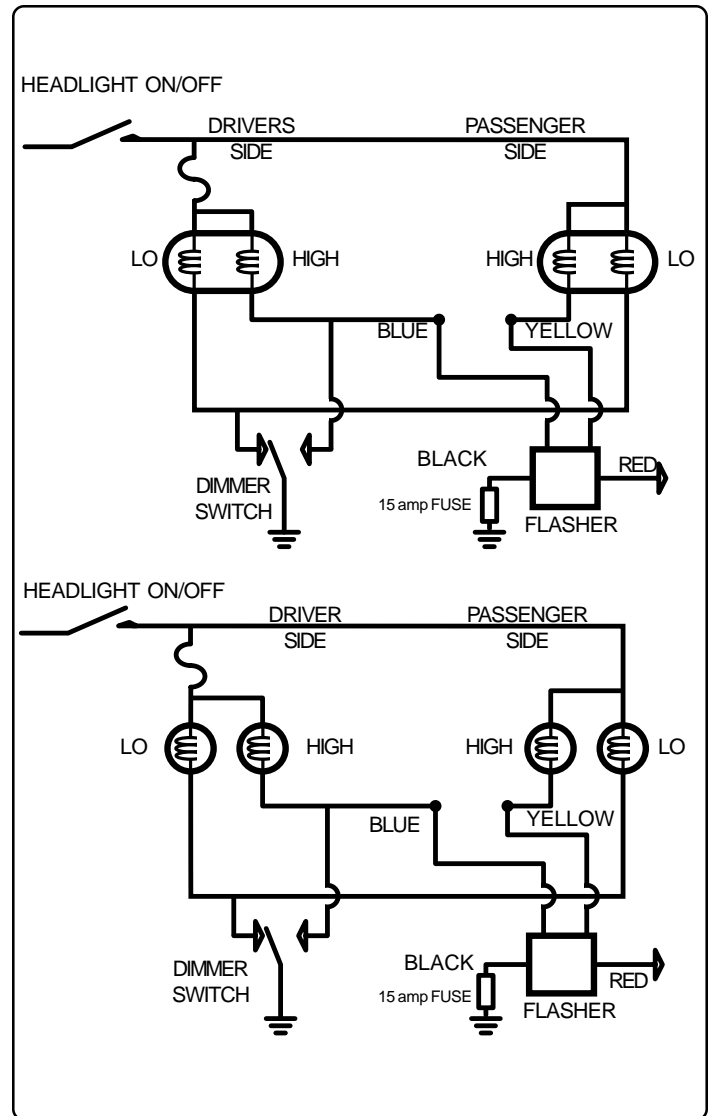
NOTE

With most ground switched vehicles, the low beam headlights must be turned ON before the headlight flasher will operate. This is due to the design of the headlight system.

NOTE

Flashing Headlight and Taillight Systems are intended for use on approved vehicles ONLY. It is the responsibility of the user of these systems to insure compliance to any Federal, State or Municipal regulations which may apply.

1. Mount the Flasher near the passenger side headlight.
2. On the Passenger side of the vehicle, locate the ground wire for the high beam lamp, DO NOT USE THE HOT WIRE. Come out about 10" to 12" from the head lamp and cut this wire in half. Connect the yellow wire to the head lamp and the blue wire to the other half (the return).
3. Connect the black wire to the negative post of the battery through a 15amp fuse.
4. Connect the red wire to a user supplied switch. The other side of the switch should be fused with a 2.5 amp fuse and run to a 12 Vdc source.
5. Test the Flasher and headlight operation.



Wiring Schematics

*If unsure of your installation or the vehicle's headlight system, call Sound Off, Inc. for a FAX of the Ground Side Test.

NON-COMPATIBLE VEHICLE LIST

The Ground Side Switching Flasher WILL NOT work on the following vehicles. These vehicles have HOT side switching headlights and the ETTP00-P or ETRR00-P Flasher should be used.

HONDA 1982 and later Honda Civic and Civic LX 1985 and later Honda Accord
NISSAN 1984 and later Nissan Truck 1986 and later Nissan 4x4 Truck 1990 and later Nissan Pathfinder 1993 and later Nissan Altima 1994 and later Nissan Sentra

MAZDA All Models
VOLKSWAGEN All Models

Some vehicles may require an extra relay to disable the DRL System. If you are unsure about your vehicle, obtain a copy of your headlight schematic from your dealer and FAX a copy to Sound Off, Inc. Attn: Technical Support Department and someone will assist you.

COMPATIBLE VEHICLE LIST

ACURA Acura Integra 1989 and later Acura Legend
CHRYSLER 1997 and later Chrysler Sebring
DODGE 1986 and later Dodge D50 Truck 1997 and later Dodge Avenger 1999 and 2000 Dodge Durango* (see Dodge Caution) 1999 and 2002 Dodge Ram* (see Dodge Caution) 1999 and 2000 Dodge Dakota (see Dodge Caution)
EAGLE 1990 and later Eagle Talon
GEO 1991 Geo Metro 1992 and later Geo Prizm 1992 and later Geo Storm 1992 and later Geo Tracker
GM 1994-1996 Corsica / Beretta 1996 and later Cavalier 1996 and later Regal, Century 1996 and later Malibu 1998 and later Ciera, Cutlass, Intrigue 1998 and later S-10 / Blazer / Sonoma / Jimmy
HONDA 1991 and later Honda Prelude and Accord
HYUNDAI 1988 and later Hyundai SL-GL 1990 and later Hyundai
ISUZU 1991 and later Isuzu Truck 1994 and later Isuzu Trooper

MITSUBISHI 1990 and later Mitsubishi Montero 1993 and later Mitsubishi Eclipse
SATURN All Models
SUZUKI 1991 and later Suzuki Swift
TOYOTA Toyota T100 Full Size 1986 and later Toyota Truck 1986 and later Toyota Tercel 1986 and later Toyota 4x4 Truck 1987 and later Toyota Corolla

DODGE CAUTION

DO NOT install a Headlight Flasher on a 2001 and later Dodge Dakota, Dodge Durango or a 2002 and later Dodge Ram 1500 - 1/2 ton truck. Installation will cause permanent damage to the vehicle's electrical system. The above vehicle's require a special "Dodge Flasher" ET3PFISO00-P.

WARRANTY

Sound Off, Inc. warrants the ETPPFV-P and ETRRFV-P Electronic Flasher Systems for one (1) full year from the date of purchase to the original purchaser against any manufacturers defects or workmanship. This warranty applies only to units installed according to manufacturer's installation instructions and operated within the units specifications. Warranty is void if the unit was installed incorrectly or maliciously damaged. All warranty claims must be accompanied by a dated proof of purchase. Sound Off, Inc. retains the right to be the sole mediator of what constitutes defects in performance or manufacturing.