



MULTI-PATTERN ELECTRONIC FLASHER Q-SWITCH (ETQS000)

Congratulations! You are now the proud owner of the most technically advanced Alternating Headlight Flasher System in the market today. Add to it our never ending commitment to quality, this new Flasher System will provide you with years of dependable trouble free service.

The Q-Switch will operate a two or four headlight system on any vehicle with a 12 VDC negative ground system.*

NOTE

This Flasher will not work on any ground side switched system. If you have any questions regarding what type of system your vehicle has, please contact Sound Off, Inc.'s Technical Support Department at 1-800-338-7337.

A properly installed Q-Switch will continuously cycle through three flash patterns on a vehicle's high beam lights: a double flash wig wag (alternating) at 1.9 flashes per second, a simultaneous (modulating) flash at 3.0 flashes per second and a fast wig way (alternating) flash at 3.0 flashes per second. When used at night, the low beam headlights remain ON for proper illumination while the high beams flash to gain attention and increase the vehicles visibility. When the dimmer switch is activated to high beam, the flasher systems "High Beam Override" interrupts the flasher sequence to allow for normal high beam function. Flashing automatically resumes when the dimmer switch is deactivated.

NOTE

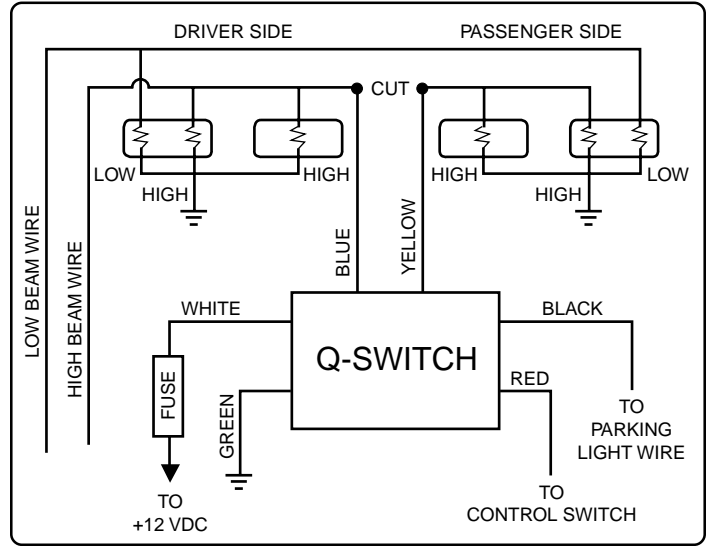
Flashing Headlight and Taillight Systems are intended for use on approved vehicles only. It is the responsibility of the user of these systems to insure compliance to any Federal, State or Municipal regulations which may apply.

INSTALLATION

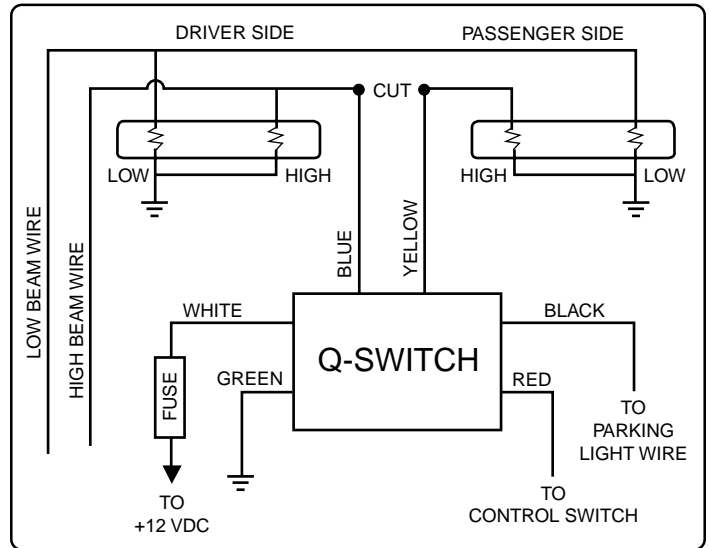
MOUNTING: Mount the flasher near the battery at the front of the engine compartment.

GREEN WIRE: Connect to a convenient reliable ground.

BLUE AND YELLOW WIRE: Locate the wire that supplies power to the passenger side high beam headlight. Cut this wire approximately 10" to 12" from the back of the headlight. Connect the yellow wire to the lead that returns to the passenger side high beam. Connect the blue wire to the other piece of the cut wire. This will make the drivers side high beam flash.



Wiring Schematic - 4 Lamp Install



Wiring Schematic - 2 Lamp Install

RED WIRE: Connect to a powered switch. This switch will only require 1/4 amp to activate the flasher.

WHITE WIRE: Connect through an ATO type fuse (20 amp) to the positive post of the battery. DO NOT USE A CIRCUIT BREAKER, FUSIBLE LINK OR SLOW BLOW TYPE FUSE.

*We recommend no more than 10 amps per side to ensure maximum useful life.

NOTE

Older 4 bulb Sealed Beam Headlight Systems may require a 30 amp fuse. Call Sound Off, Inc.'s Technical Support Department at 1-800-338-7337 for any further assistance.

BLACK WIRE (OPTIONAL): If an "Automatic Nighttime Flasher Cutoff" is required (check State and Municipal regulations), simply "T" or tap the black wire into the parking light wire. If not required, cut off the excess wire and tape the black wire end.

WARRANTY

Sound Off, Inc. warrants the ETQS000 Electronic Flasher System for 1 (one) full year from the date of purchase to the original purchaser against any manufacturer defects or workmanship. This warranty applies only to units installed according to manufacturer's installation instructions and operated within the units specifications.

Warranty is void if the unit was installed incorrectly or maliciously damaged.

All warranty claims must be accompanied by a dated proof of purchase.

Sound Off, Inc. retains the right to be the sole mediator of what constitutes defects in performance or manufacturing.

Covered under U.S. Patents #4114071 and #4309639